

# 3-1/2 DIGIT LARGE BLACK/RED/GREEN/AMBER DISPLAY MODEL LPI-4

## DESCRIPTION

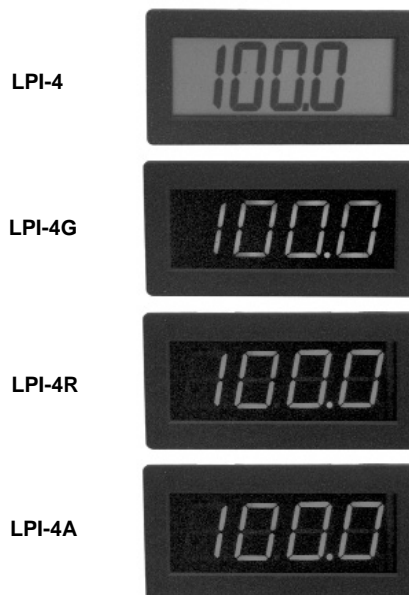
The **Model LPI-4** loop-powered indicator features a large 1" (2.54 cm) 3-1/2 digit display. It is designed to display any 4-20 mA signal in desired scale. The **Model LPI-4** is powered directly from the 4-20 mA signal loop, so there is no need for a power supply for the black digit model. It is also available in a 24 VDC powered version with red, green, or amber digits.

## FEATURES

- Indication of 4-20 mA signal in desired scale
- 3-1/2 digit LCD display
- Large, easy-to-read digits
- Available in either black, red, green, or amber digits
- Precalibrated for desired range
- Snap-in panel mount with retainer
- Negative range indicator
- Includes weather-resistant seal
- Optional jumper-selectable display units °F, °C, %, PSI

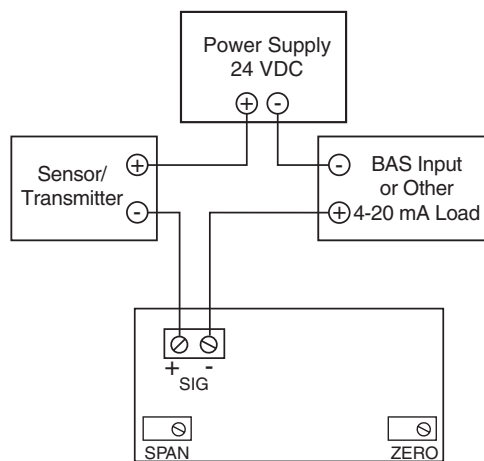
## APPLICATIONS

- Temperature
- Humidity
- Pressure
- Kilowatt demand
- Gallons per minute
- Voltage/current

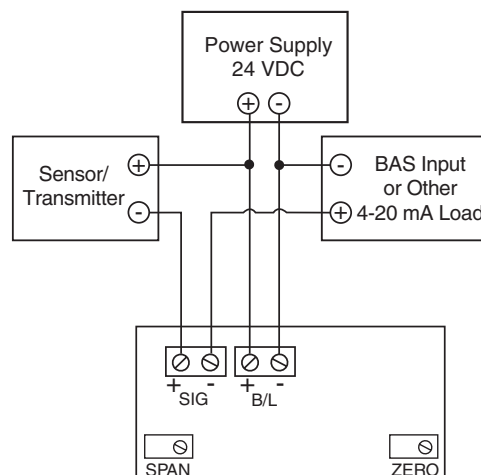


SPECIFICATIONS			
<b>Signal</b>	4-20 mA	<b>Range</b>	-1999 to +1999
<b>Power</b>		<b>Accuracy</b>	±0.05% of scale +1 digit
<b>Black</b>	Loop powered	<b>Ambient</b>	32° to 122°F (0° to 50°C)
<b>Red/Green/Amber</b>	24 VDC, 35 mA max		95% noncondensing
<b>Impedance</b>	300Ω	<b>Cutout required</b>	1.77" x 3.62" (4.5 x 9.2 cm)
<b>Digit count</b>	3-1/2 digits (1999 max)	<b>Dimensions</b>	3.78"W x 1.89"H (9.6 x 4.8 cm)
<b>Digit size</b>	1" (2.54 cm)	<b>Depth</b>	1.5" (3.81 cm)
<b>Decimal point</b>	3 positions or none (1.0.0.0)	<b>Weight</b>	4 oz (113g)

## WIRING

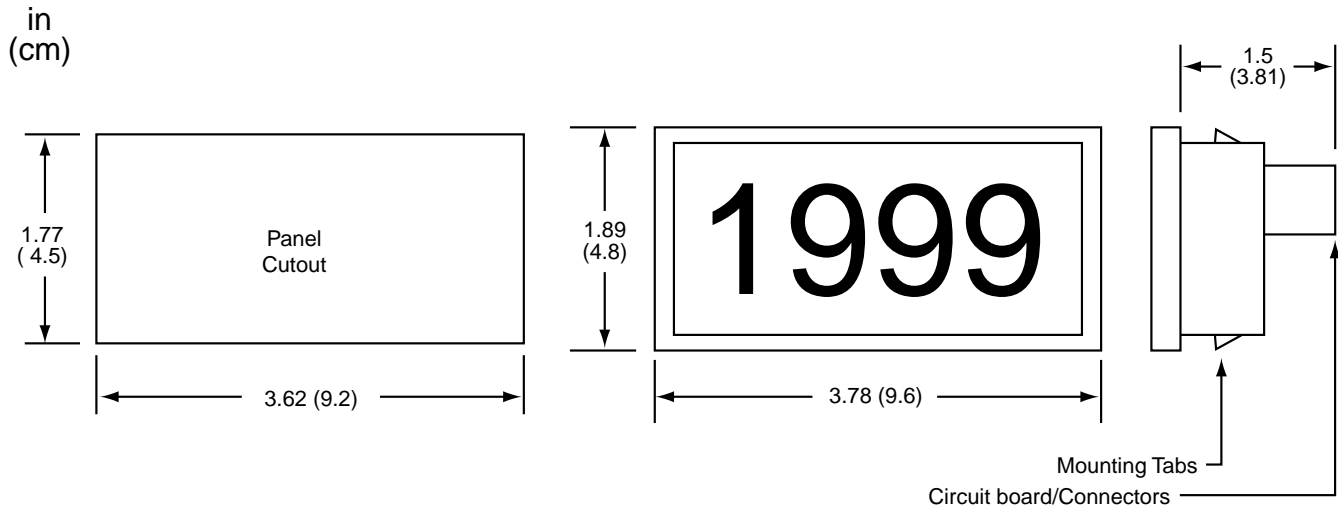


LPI-4



LPI-4R, G, A

## PANEL MOUNTING INFORMATION



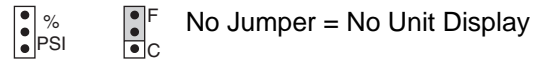
## RECALIBRATION INFORMATION

### Decimal Point Jumpers

#### Decimal Jumper Selection

J4	=	1000
J5	=	1.000
J6	=	10.00
J7	=	100.0

### Engineering Unit Display



### Calibration Jumpers

If offset (zero) is 0 or  
offset (zero) is > 0 and  
gain (span) ÷ offset (zero) > 5



If offset (zero) is > 0 and  
gain (span) ÷ offset (zero) < 5



### Final Adjustment Set Up

1. Apply 4.00 mA, and adjust the ZERO pot for the desired low numeric display.
2. Apply 20.00 mA, and adjust the SPAN pot for the desired maximum numeric display.
3. Repeat steps 1 and 2 until both desired high and low readings are obtained (4-5 passes typical).

## ORDERING INFORMATION

LPI-4	3-1/2 Digit Black Panel Display
LPI-4R	3-1/2 Digit Red Panel Display
LPI-4G	3-1/2 Digit Green Panel Display
LPI-4A	3-1/2 Digit Amber Panel Display

Specify scale, range, and decimal location when ordering.

Aluminum engineering units plate will be provided upon request at no charge (2.00" x 0.75" tag with 0.125" letters).  
Available plates are % RH, AMPS, DEG C., DEG F., GPM, x10 GPM, KW, KWH, PSIG, and "W.C.